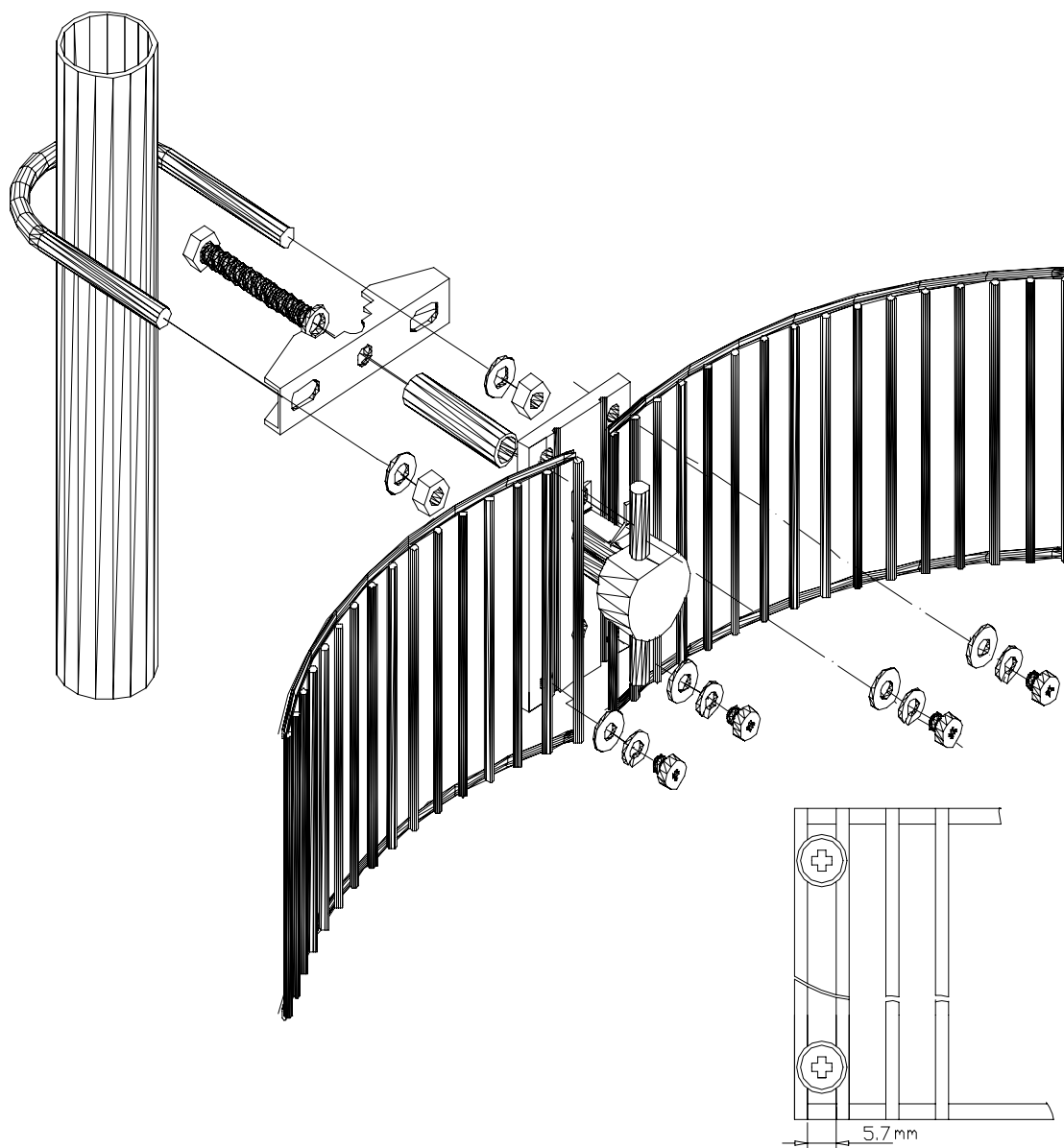


2.4GHz RF HI-GAIN ANTENNA

ITEM No : 1CO-24001



※ SPECIFICATION

- Frequency: 2400~2500 MHz
- Max gain: 12 dBi
- Connector: SMA female
- Beam width H: 9.5 degree
- Max input power: 15W Max
- Wave impedance: 50 OHMS $\pm 5 \Omega$
- dimensions: 275x125x90mm
- Weight: 270g
- Use outdoors with outdoor housing

※ NOTICE

- Please screw a locked plane on 5.7mm space of adirectional antenna