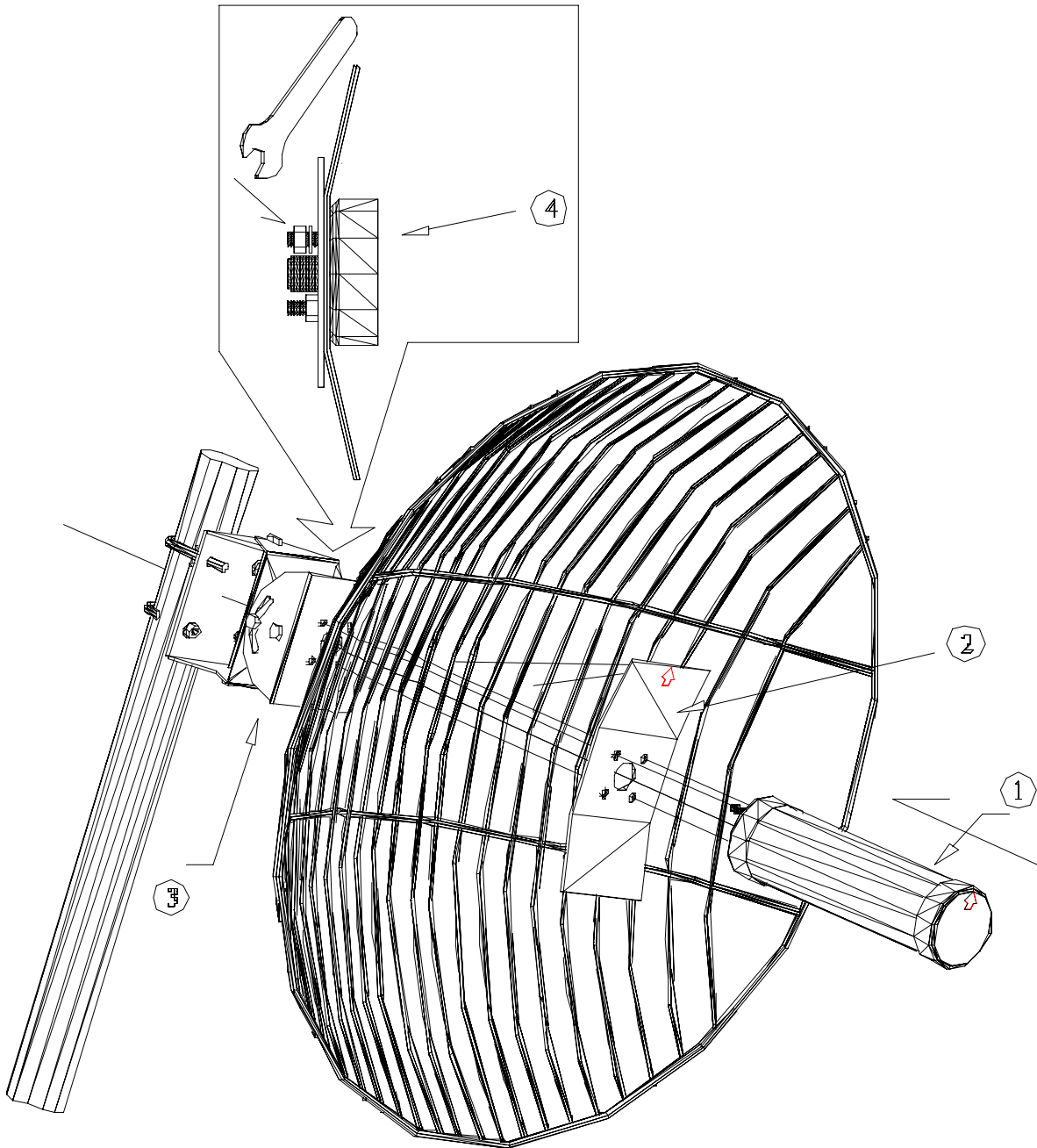


## 2.4GHz RF HI-GAIN ANTENNA

ITEM NO : 1CO-24002



### ※ SPECIFICATION

- Frequency: 2400~2500 MHz
- Max gain: 21 dBi
- Connector: N female
- Max input power: 20W Max
- Wave impedance: 50 OHMS  $\pm 5 \Omega$
- Dimensions:  $\varphi 610 \times 248 \text{mm}$
- Weight: 2.77 kg
- For Image/Data/Voice communications and Wireless LAN system