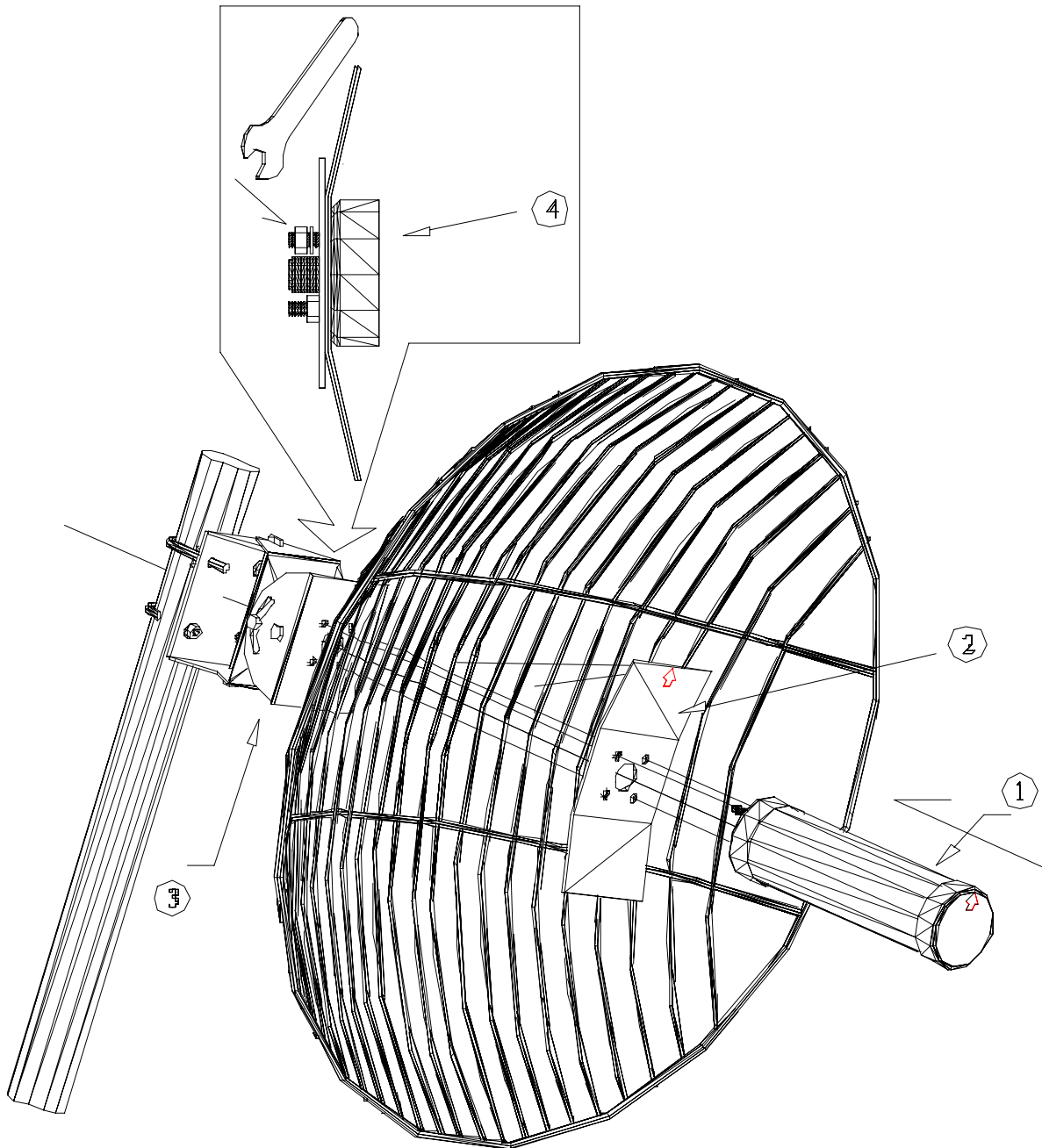


3.3~3.8GHz RF HI-GAIN ANTENNA

ITEM NO : 1CO-33823



※ SPECIFICATION

- Frequency: 3300~3800 MHz
- Max gain: 23 dBi
- Connector: N female
- Max input power: 15W Max
- Wave impedance: 50 OHMS $\pm 5 \Omega$
- Dimensions: \varnothing 610 mm
- Weight: 2.9 kg
- For Image/Data/Voice communications and Wireless LAN system