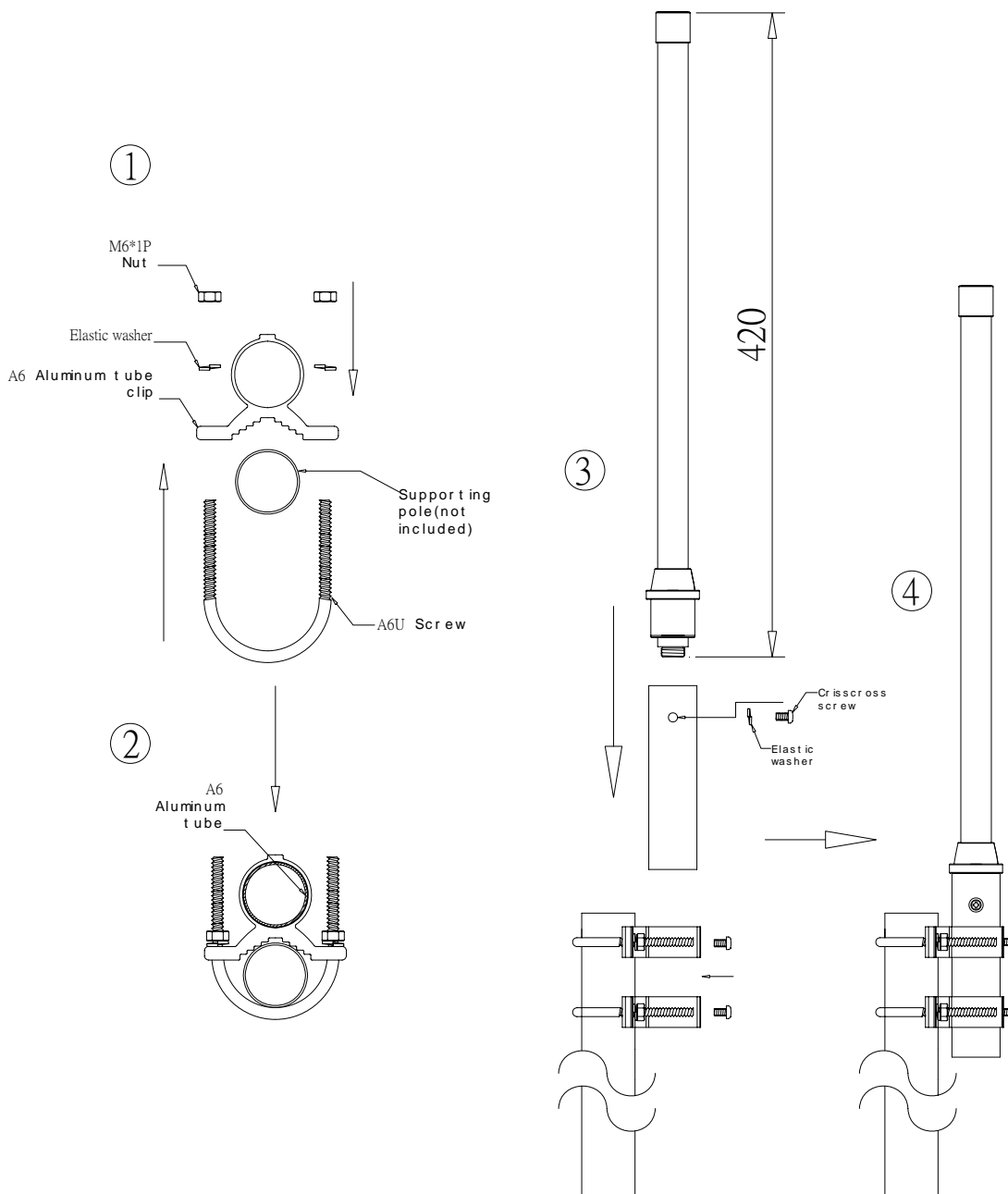


2.4GHz RF HI-GAIN ANTENNA

ITEM NO : 1GP-2409



※ SPECIFICATION

- Frequency: 2400~2500 MHz
- Max gain: 9dBi
- Connector: N female
- Max input power: 15W Max
- Wave impedance: 50 OHMS $\pm 5\Omega$
- Dimensions: $\phi 35 \times 420\text{mm}$
- Weight: 430 g
- For Image/Data/Voice communications and Wireless LAN system