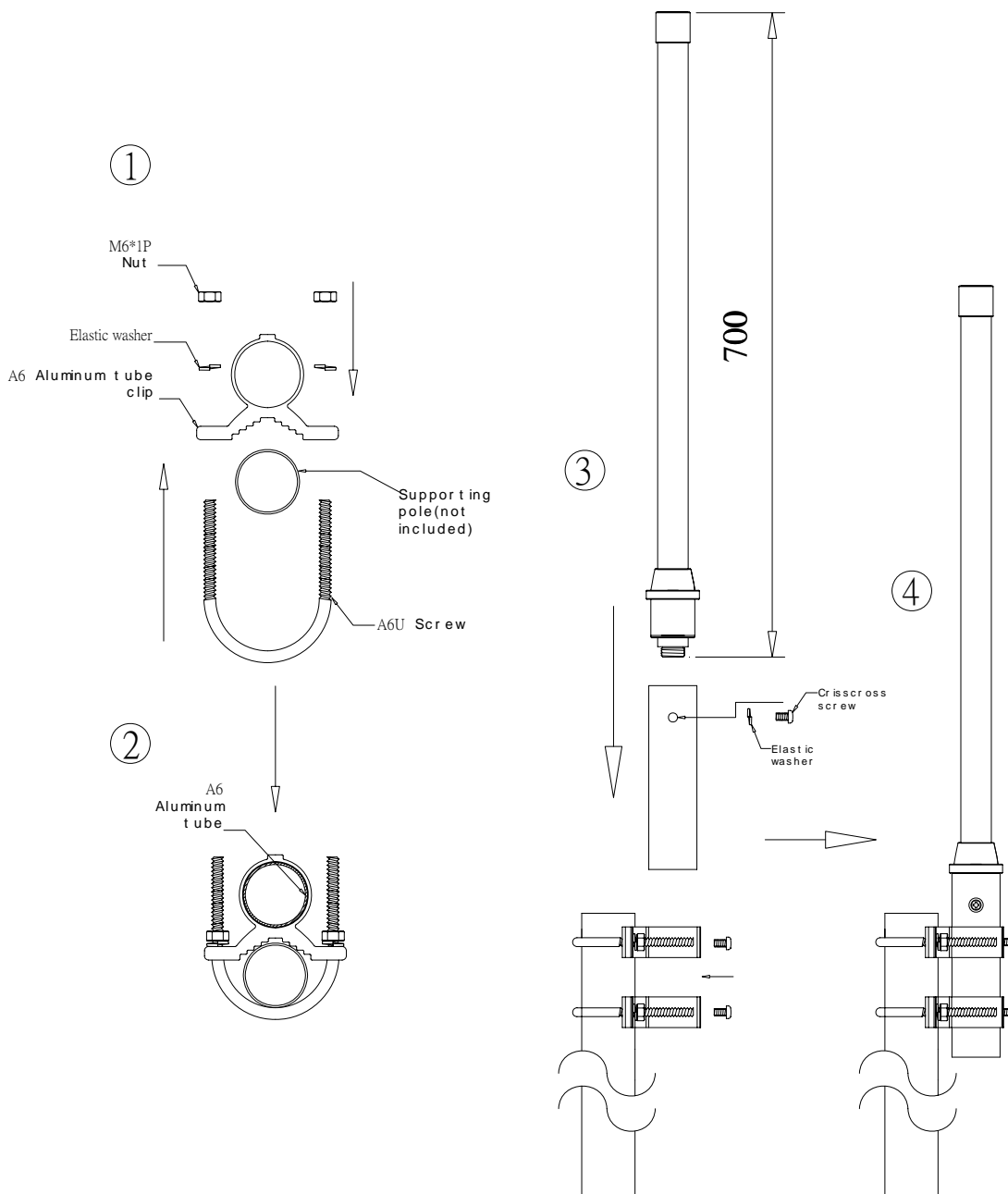


2.4/5.8GHz RF HI-GAIN ANTENNA

ITEM NO : 1GP-2458-1



※ SPECIFICATION

- Frequency: 2400~2500 /5100~5900MHz
- Max gain: 9/12dBi
- Connector: N female
- Max input power: 10W Max
- Wave impedance: 50 OHMS $\pm 5 \Omega$
- Dimensions: $\phi 35 \times 700$ mm
- Weight: 310g
- For Image/Data/Voice communications and Wireless LAN system