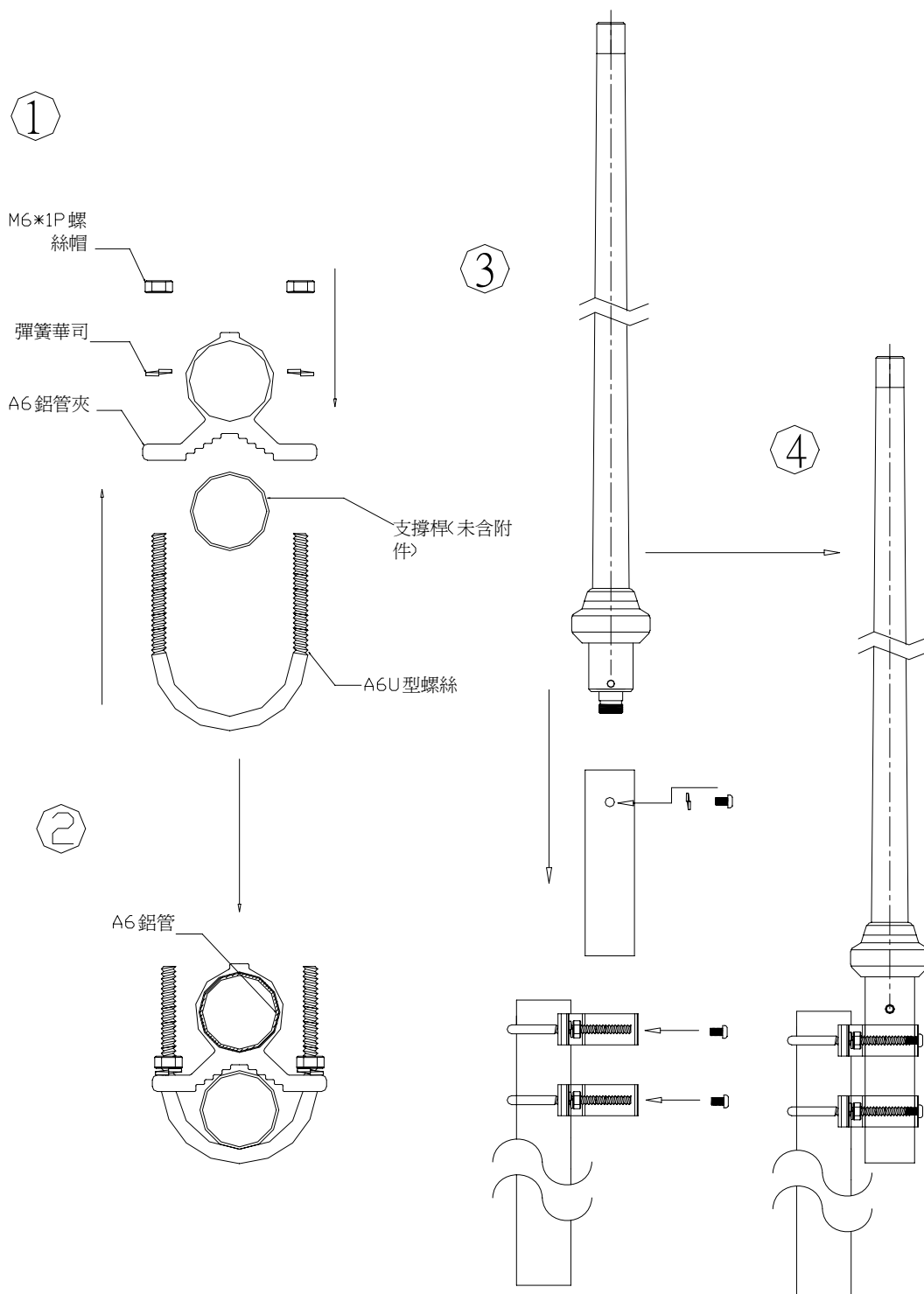


# 2.6GHz RF HI-GAIN ANTENNA

ITEM NO : 1GP-2615

20080331



- Max gain:15dBi
- Connector: N female
- Max input power: 50W
- Wave impedance: 50 ohm
- Dimensions: 1600mm
- Weight:1050 g
- For Image/Data/Voice communications and Wireless LAN system