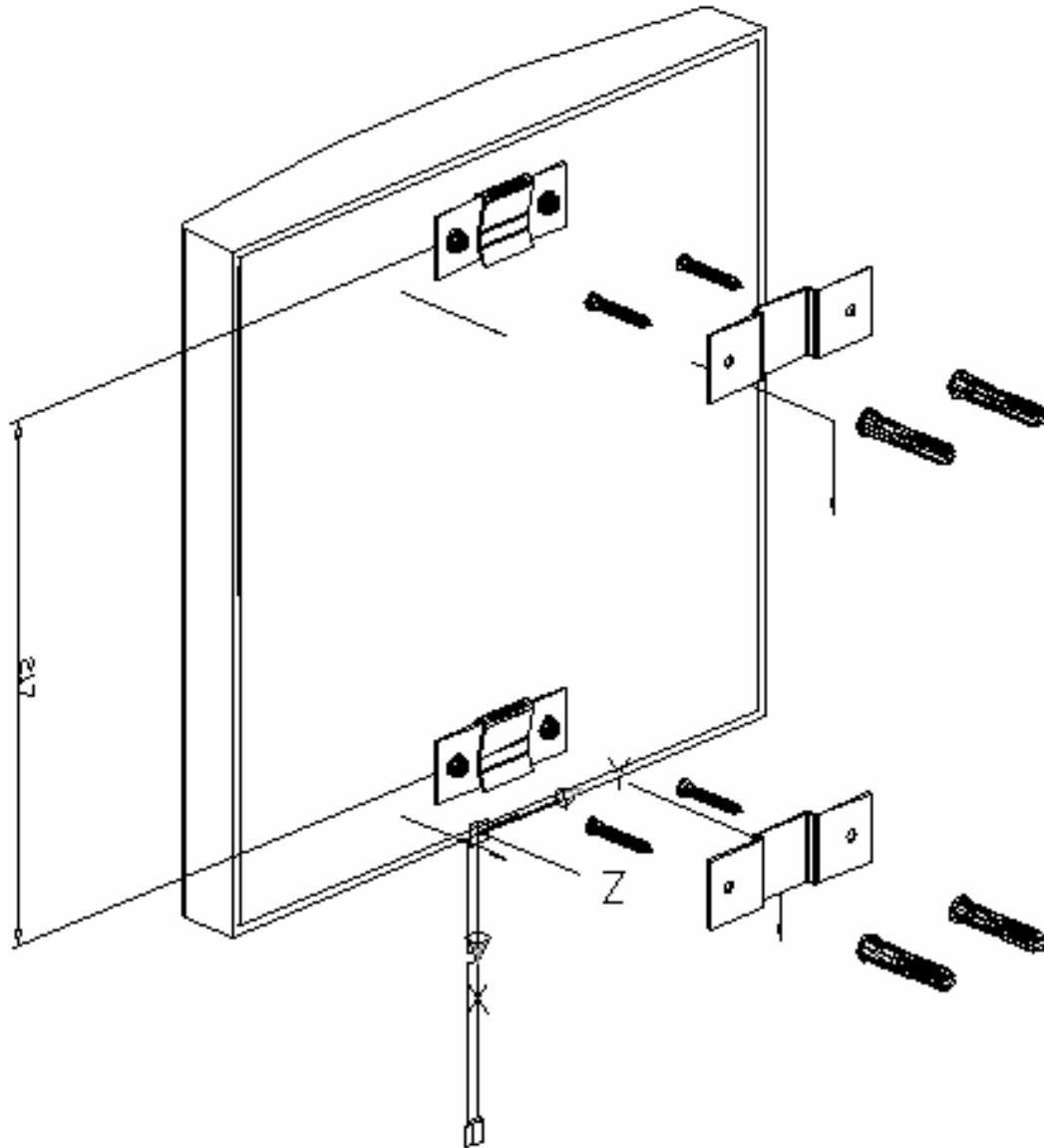


# 900MHz RF HI-GAIN ANTENNA

ITEM No : 1PG-0909CP



## SPECIFICATION

- Frequency : 860~940 MHz
- Max gain : 9dbi
- Connector : SMA male
- Max input power : =<20W
- Wave impedance : 50 ohm
- dimensions : 263x263x30mm
- Weight : 0.9 kg
- For image/Data/Voice communication and Wireless LAN system