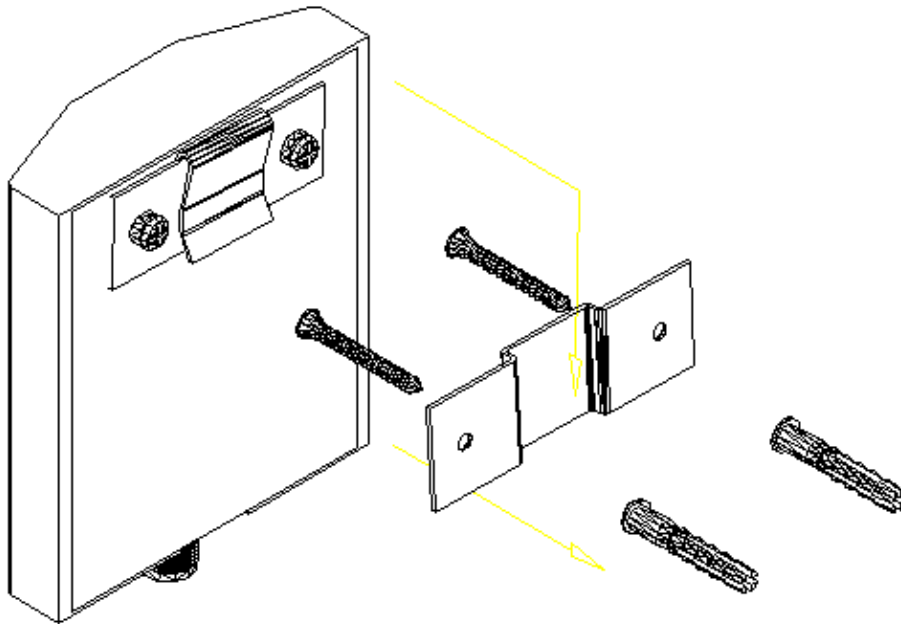


# 2.4GHz RF HI-GAIN ANTENNA

ITEM NO : 1PG-24001



## ※ SPECIFICATION

- Frequency: 2400~2500 MHz
- Max gain: 9dBi
- Connector: N female
- Max input power: 10W Max
- Wave impedance: 50 OHMS  $\pm 5 \Omega$
- Dimensions: 107\*90\*30mm
- Weight: 0.28 kg
- For Image/Data/Voice communications and Wireless LAN system