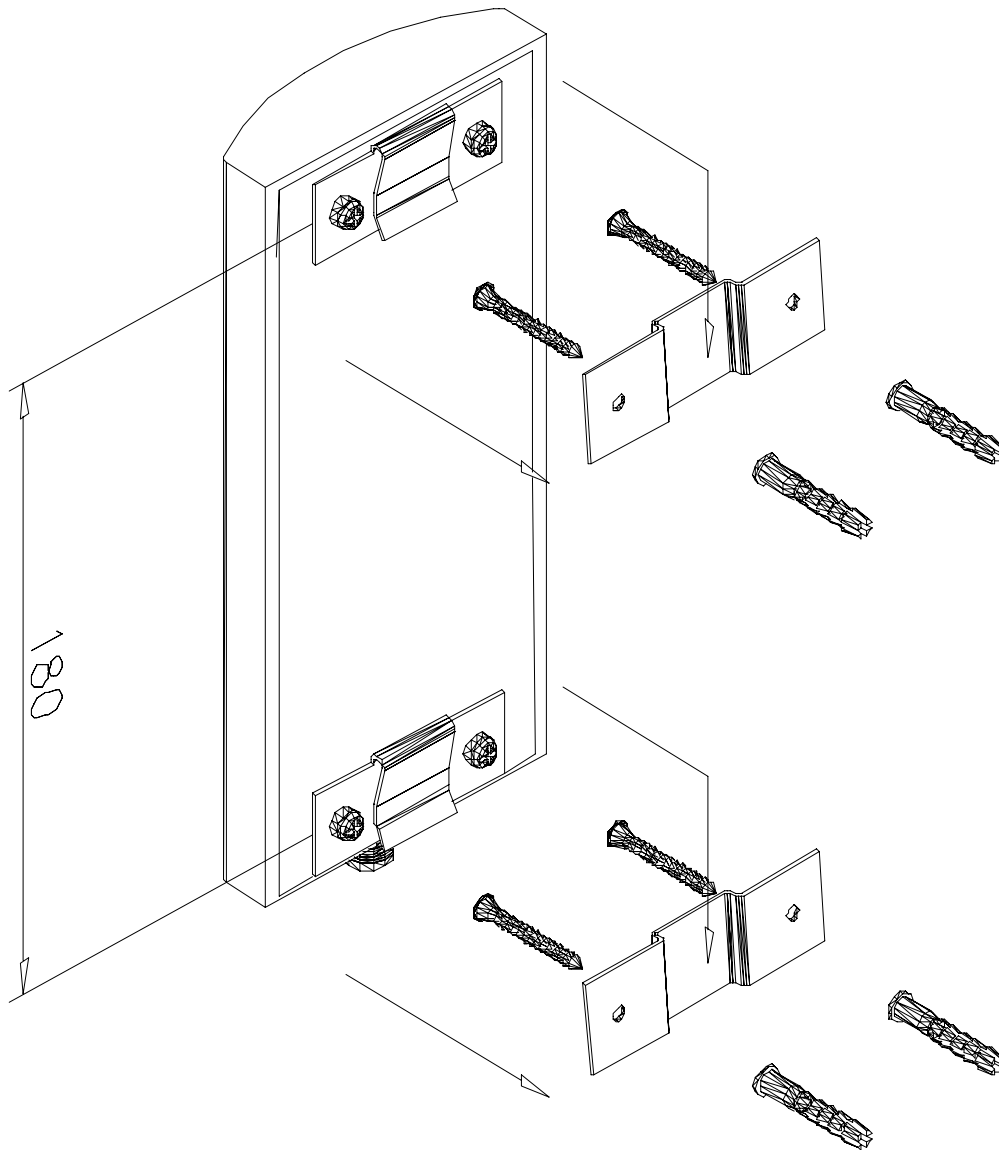


2.4GHz RF HI-GAIN ANTENNA

ITEM No : 1PG-24002



※ SPECIFICATION

- Frequency: 2400~2485 MHz
- Max gain: 12dbi
- Connector: N female
- Max input power: =<50W
- Wave impedance: 50 ohm
- dimensions: 215x90x30mm
- Weight: 560 g
- For image/Data/Voice communication and Wireless LAN system