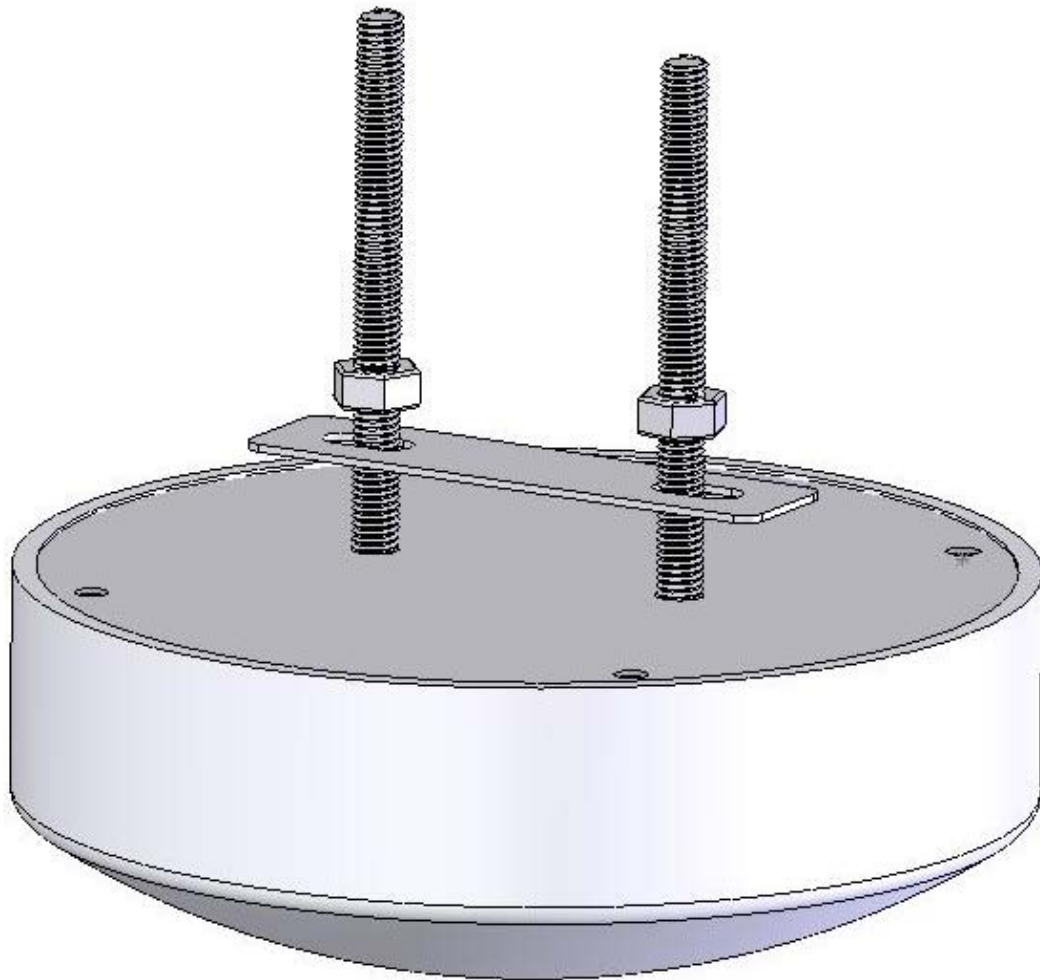


2.4GHz RF HI-GAIN ANTENNA

ITEM NO : 1PG-2409CP-1



※ SPECIFICATION

- Frequency: 2400~2500 MHz
- Max gain: 9 dBi
- Connector: SMA
- Max input power: 10W Max
- Wave impedance: 50 OHMS $\pm 5 \Omega$
- Dimensions: $\varphi 130 \times H50$ mm
- Polarization: Circular
- Weight: 200g
- For Image/Data/Voice communications and Wireless LAN system