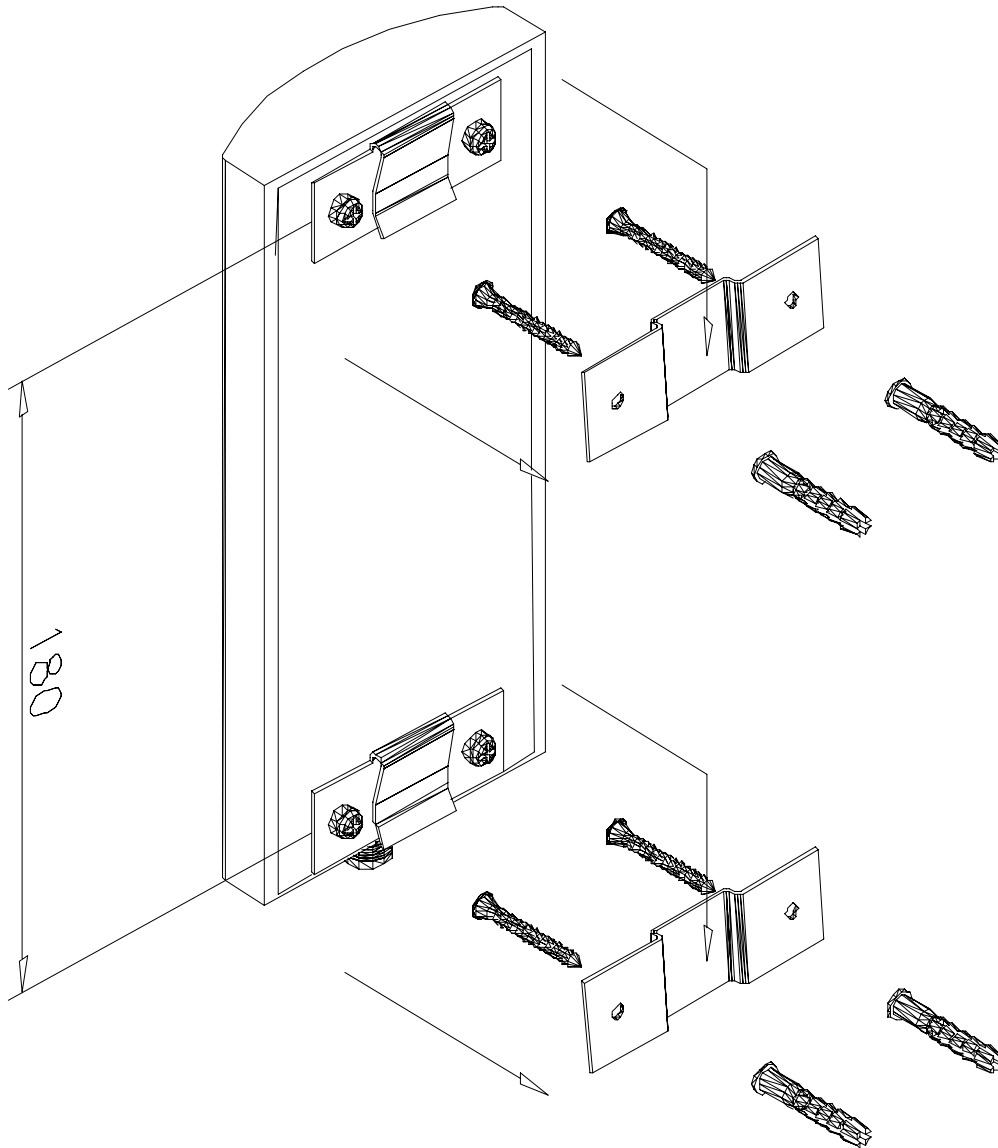


# 2.4GHz RF HI-GAIN ANTENNA

ITEM No : 1PG-2412CP



## ※ SPECIFICATION

- Frequency: 2400~2500 MHz
- Max gain: 12dBi
- Connector: N female
- Max input power: 10W
- Wave impedance: 50 ohm
- dimensions: 215x90x30mm
- Weight: 0.51 kg
- For image/Data/Voice communication and Wireless LAN system