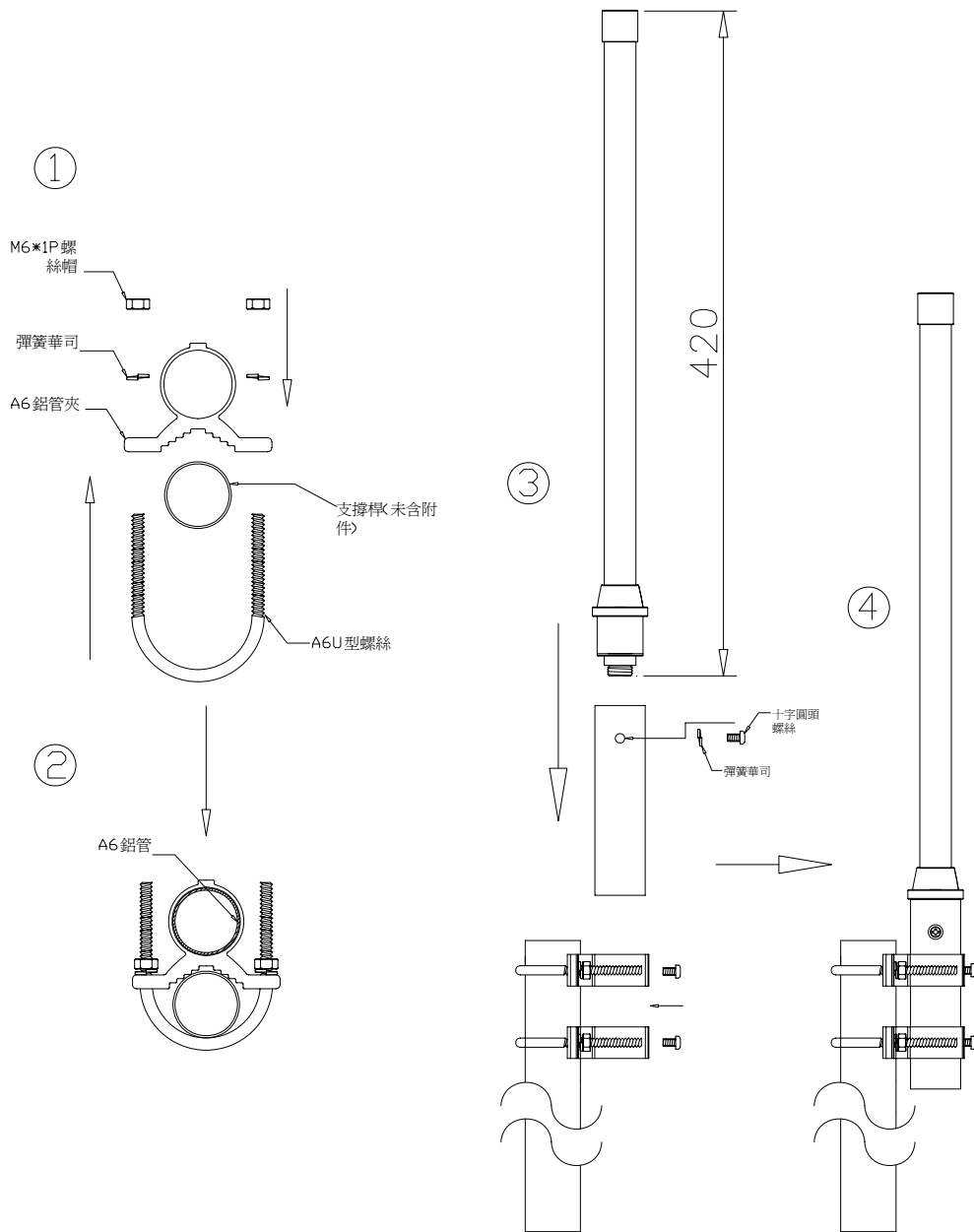


4.9GHz RF HI-GAIN ANTENNA

ITEM NO : 1GP-4912



※ SPECIFICATION

- Frequency: 4800~5000MHz
- Max gain: 12 dBi
- Connector: N female
- Max input power: 50W
- Wave impedance: 50 ohm
- Dimensions: 420 mm
- Weight: 430 g
- For Image/Data/Voice communications and Wireless LAN system