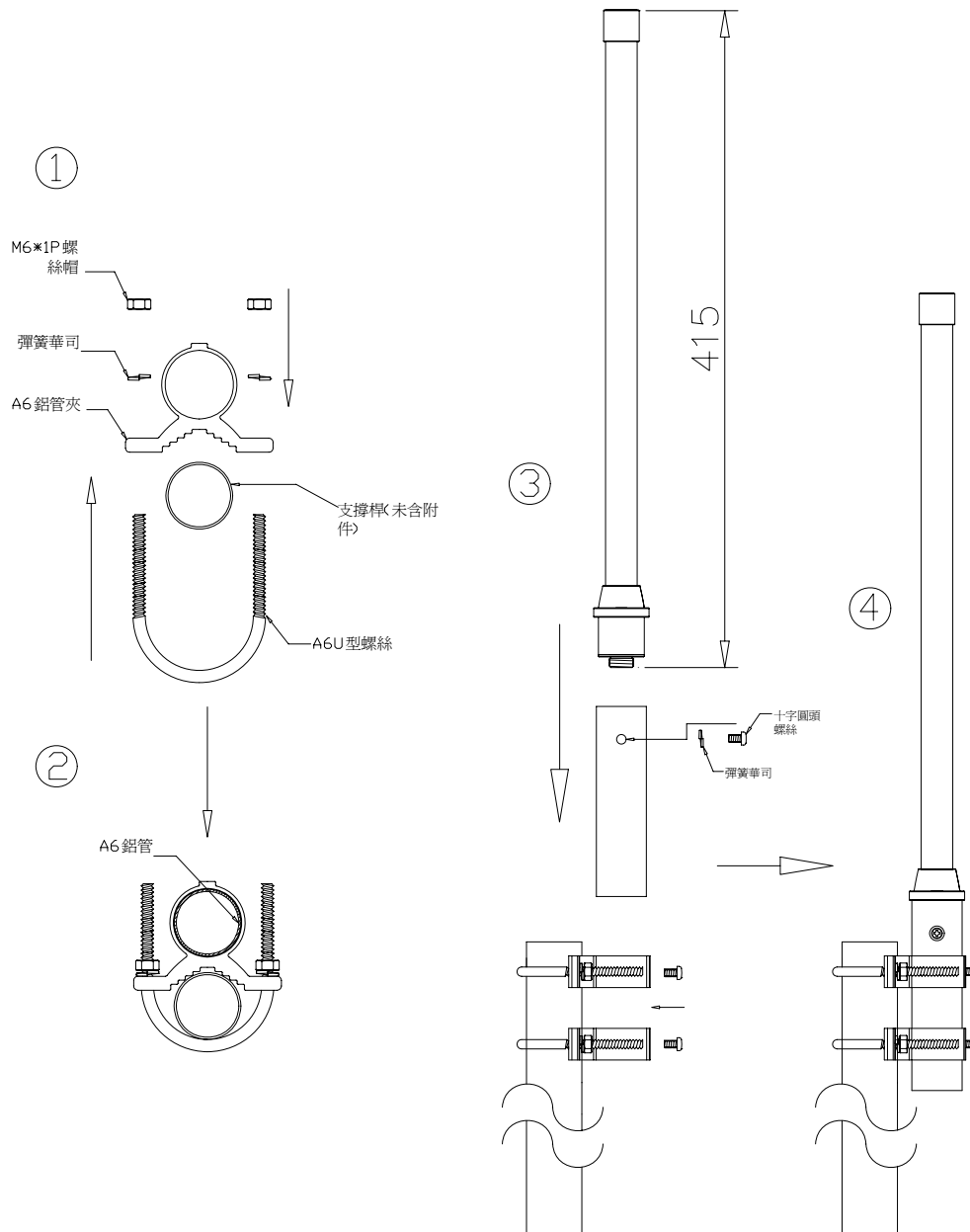


# 5.1~5.9GHz RF HI-GAIN ANTENNA

ITEM NO : 1GP-51809

20051110



## ※ SPECIFICATION

- Frequency: 5100~5900 MHz
- Max gain: 9 dBi
- Connector: N female
- Max input power: 50W
- Wave impedance: 50 ohm
- Dimensions: 415mm
- Weight: 410 g
- For Image/Data/Voice communications and Wireless LAN system