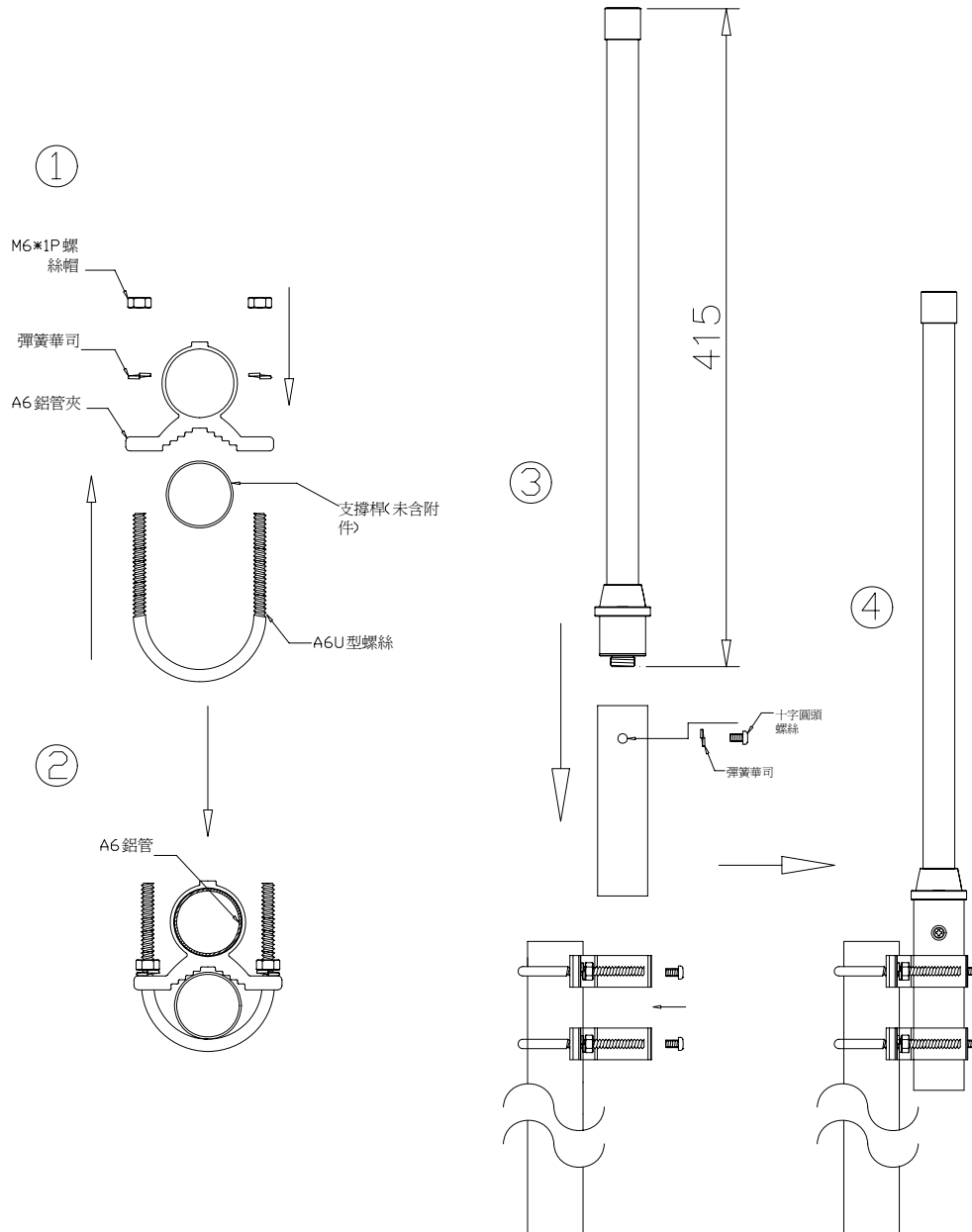


5.1~5.9GHz RF HI-GAIN ANTENNA

ITEM NO : 1GP-51812

20051110



※ SPECIFICATION

- Frequency: 5100~5900 MHz
- Max gain: 12 dBi
- Connector: N female
- Max input power: 50W
- Wave impedance: 50 ohm
- Dimensions: 415mm
- Weight: 430 g
- For Image/Data/Voice communications and Wireless LAN system